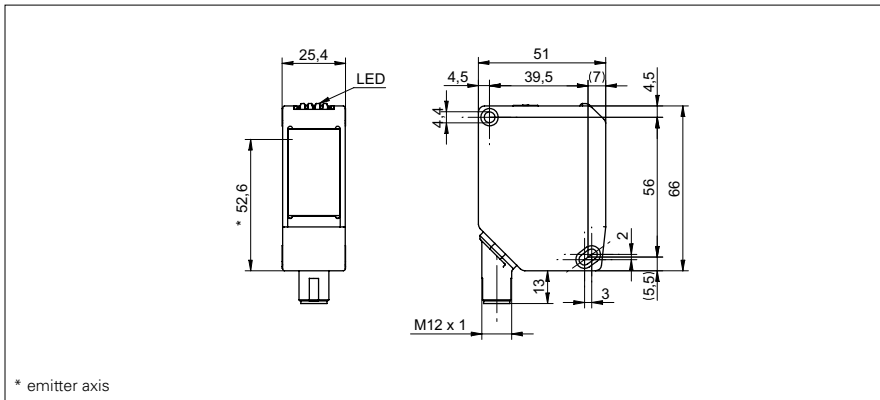


Distance sensors

OADM 250 (Laser)

sample drawing



general data

measuring distance Sd (white 90%)	200 ... 4000 mm
measuring distance Sd (grey 18%)	200 ... 4000 mm
measuring distance Sd (black 6%)	200 ... 4000 mm
adjustment	Teach-in: button / external
Teach-in range min.	> 100 mm
power on indication	LED green
soiled lens indicator	LED red
resolution	1,2 mm
accuracy (linearity)	± 20 mm (S = 0,5 ... 4 m) ± 25 mm (S = 0,2 ... 4 m)
repeatability	± 5 mm
light source	pulsed red laser diode
wave length	660 nm
laser class	2
beam type	point
beam diameter	2 ... 15 mm

electrical data

response time / release time	< 10 ms
voltage supply range +Vs	12 ... 28 VDC
current consumption max.	250 mA
output circuit	analog
output current	< 70 mA
alarm output	push-pull
short circuit protection	yes
reverse polarity protection	yes, Vs to GND

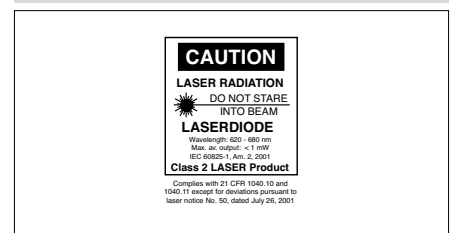
mechanical data

width / diameter	25,4 mm
height / length	66 mm
depth	51 mm
type	rectangular
housing material	aluminum
front (optics)	glass
connection types	connector M12 5 pin, rotatable

sample picture



laser warning



Distance sensors

OADM 250 (Laser)

ambient conditions

operating temperature	0 ... +50 °C
protection class	IP 67

order reference	output signal	load resistance (analog U)	load resistance (analog I)
OADM 250I1101/S14C	4 ... 20 mA	-	$< (+V_s - 6\text{ V}) / 0,02\text{ A}$
OADM 250U1101/S14C	0 ... 10 VDC	$> 100\text{ k}\Omega$	-